



Ultimaker 2+

Engineered to perform, the Ultimaker 2+ is reliable, efficient, and user-friendly. Thanks to its support of a wide range of materials, it's suitable for a huge variety of applications, from prototypes to customized tools. It's a great all-around 3D printer that delivers consistent results.

Powerful features seamlessly combined

Build volume	Materials	Layer resolution	Speed
Ultimaker 2+ 223 x 223 x 205 mm	Filament system: Open filament system	From: 600 micron	Build speed: Up to 24 mm ³ /s
Ultimaker 2 Extended+ 223 x 223 x 305 mm	Optimized for: PLA, ABS, CPE, CPE+, PC, Nylon, TPU 95A	Up to: 20 micron	Travel speed: Up to 300 mm/s

Successful prints whatever the complexity

To realize complicated models the Ultimaker 2+ performs difficult 3D printing tasks with ease. Thanks to extensive research and development, it excels at bridging, overhangs and accurate details to realize prints of all shapes and sizes.





Ultimaker 2+

Enriched by our global open source community

Geared feeder, increased reliability

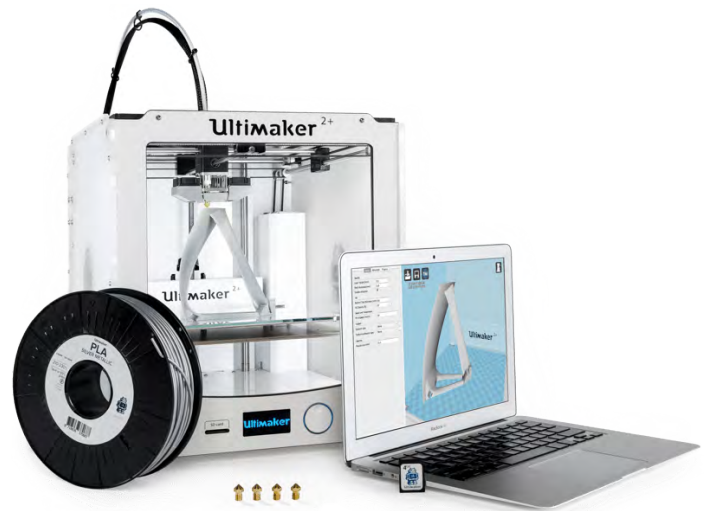
The innovative feeder allows you to easily swap filament and choose the correct pressure for your filament.

Swappable nozzle, greater control

Easily switch between 0.25, 0.4, 0.6 and 0.8 mm nozzles for greater detail or faster print speed.

Optimized airflow, smoother prints

The new fancaps ensure the airflow is aimed perfectly below the nozzle and equally from both sides.



Enjoying a world class 3D printer is just the start

Free extras include:

- An SD card, glue stick, grease, hex wrenches and a USB cable
- Swappable 0.25, 0.4, 0.6 and 0.8 mm nozzles
- A 0.75 kg spool of Ultimaker Silver PLA
- Cura, our award-winning print preparation software
- Powerful Ultimaker app
- A calibration card to level the build plate
- Comprehensive 12 month warranty
- Lifetime expert support
- An active global community of makers



Ultimaker 2+ Engineered to perform



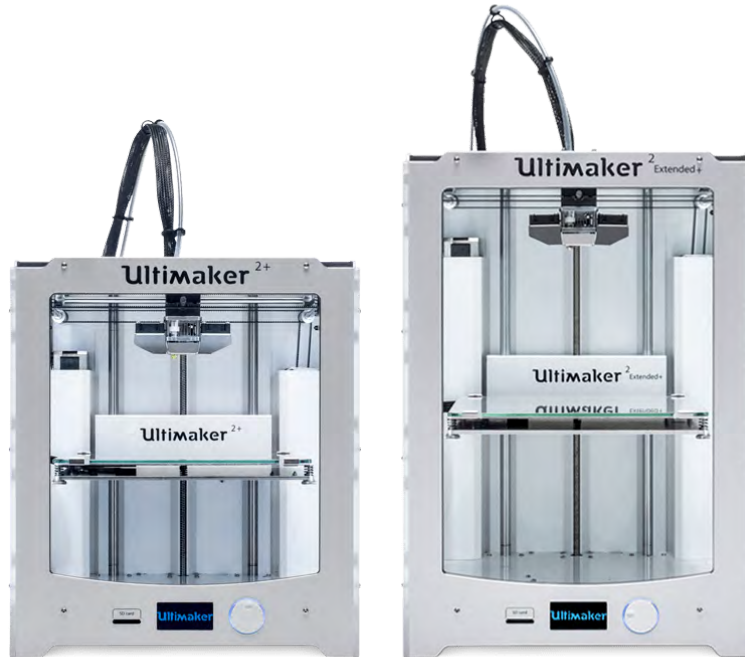
Dr. Hong uses the Ultimaker 2+ to create 3D printed eye care kits to treat blindness

Take a look at what makes the Ultimaker 2+ one of the best desktop 3D printers ever



Faraday Motion created a 3D printed electric skateboard using the Ultimaker 2 Extended+

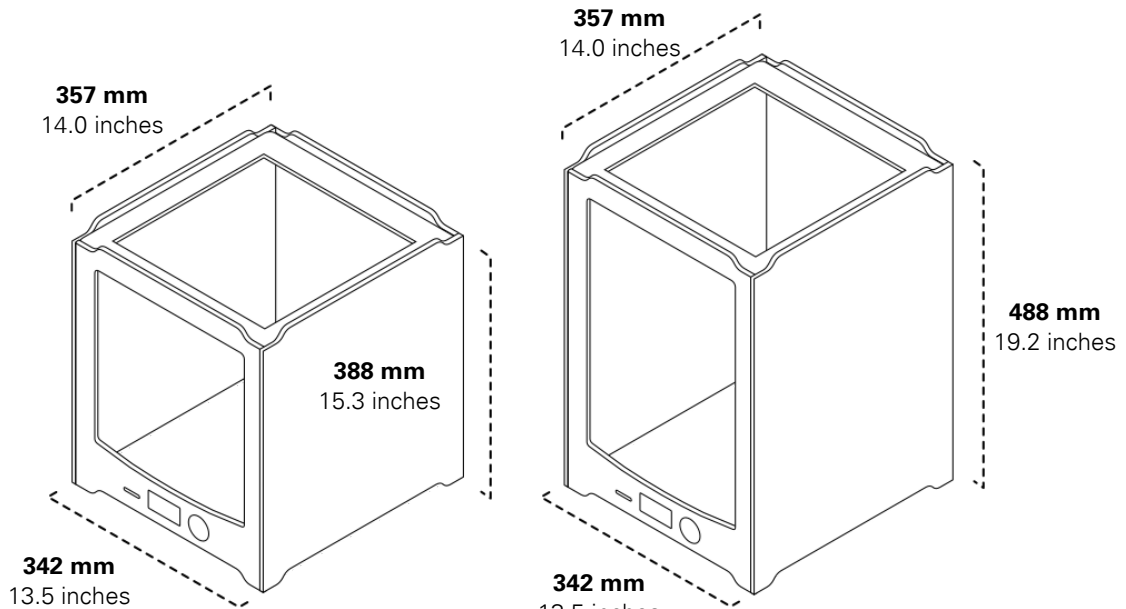
Ultimaker 2+ Specifications



Ultimaker 2+

Ultimaker 2 Extended+

Dimensions



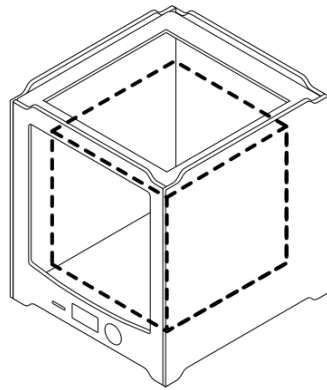
Dimensions with bowden tube and spool holder:

342 x 493 x 588 mm
(13.5 x 19.4 x 23.1 inches)

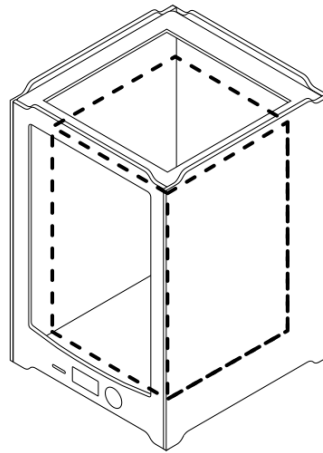
Dimensions with bowden tube and spool holder:

342 x 493 x 688 mm
(13.5 x 19.4 x 27.1 inches)

Build volume



Dimensions:
223 x 223 x 205 mm
(8.8 x 8.8 x 8.1 inches)



Dimensions:
223 x 223 x 305 mm
(8.8 x 8.8 x 12.0 inches)

Printer and printing properties

Assembly type	Pre-assembled	Print head travel speed	30 to 300 mm/s
Layer Resolution	0.25 mm nozzle: 150 to 60 micron	Feeder type	Geared feeder
	0.40 mm nozzle: 200 to 20 micron	XYZ accuracy	12.5, 12.5, 5 micron
	0.60 mm nozzle: 400 to 20 micron	Nozzle diameter	Included are 0.25, 0.4, 0.6 and 0.8 mm nozzles 180 °
	0.80 mm nozzle: 600 to 20 micron	Nozzle temperature	C to 260 °C
Build plate	50 °C to 100 °C heated glass build plate	Nozzle heat up time Build plate heat up time	~ 1 minute < 4 minutes
Build plate leveling	Assisted leveling process	Operating sound	50 dBA
Print technology	Fused Deposition Modeling (FDM)		
Print head	Swappable nozzle		
Build speed	0.25 nozzle: up to 8 mm ³ /s		
	0.40 nozzle: up to 16 mm ³ /s		
	0.60 nozzle: up to 23 mm ³ /s		
	0.80 nozzle: up to 24 mm ³ /s		

Materials

System	Open filament system
Filament diameter	2.85 mm
Supported materials	PLA, ABS, CPE, CPE+, PC, Nylon, TPU 95A
Ultimaker filament	A spool of Ultimaker filament is 750 g

Requirements

Software	Cura, our free print preparation software
Supported OS	Free on macOS, Windows and Linux
Supported file types	STL, OBJ and AMF
File transfer	Standalone 3D printing from SD card (included)
Operating ambient temperature	15 °C to 32 °C (59 °F to 90 °F)
Nonoperating temperature	0 °C to 32 °C (32 °F to 90 °F)
Input	100 - 240V
	4A, 50-60Hz
	221 W max.
Output	24 V DC, 9.2 A

Hardware components

Equal for the Ultimaker 2+ and Ultimaker 2 Extended+

