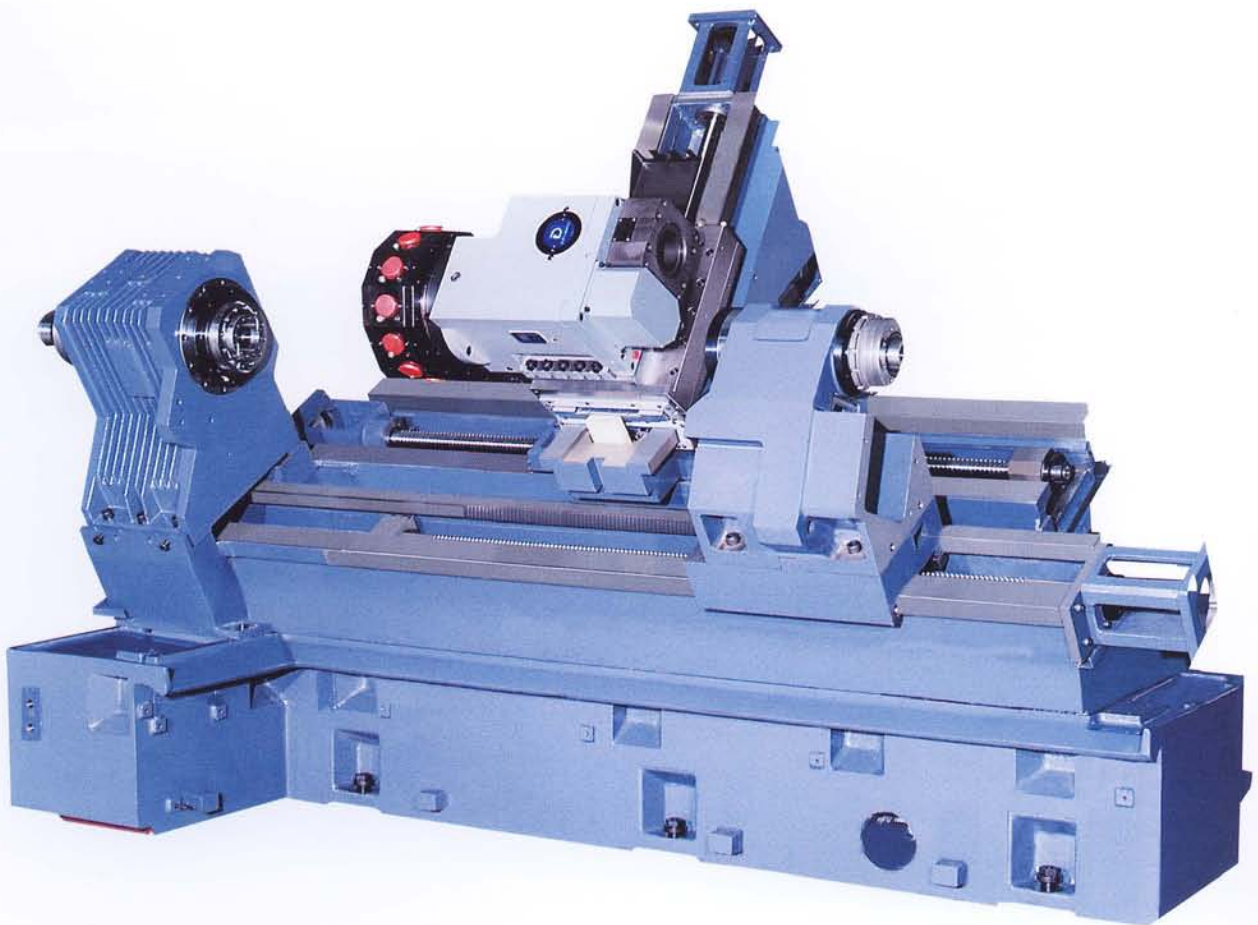




## SLANT-BED CONSTRUCTION

The machine features a super rigid pipe-structured 30 degree bed and a 30 degree compound Y slide on the X axis sliding seat. During heavy-duty cutting, turning or milling operation, it demonstrates excellent stability and versatility





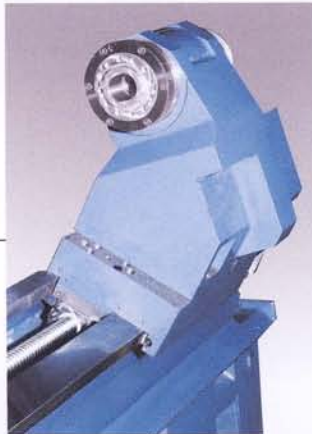
Spindle: The spindle is made of special alloy steel, and manufactured with complex machining procedures to obtain the optimum precision and durability.



Ballscrew: High precision bearings and coupling are used to support the super precision ballscrews to ensure reliability in positioning.



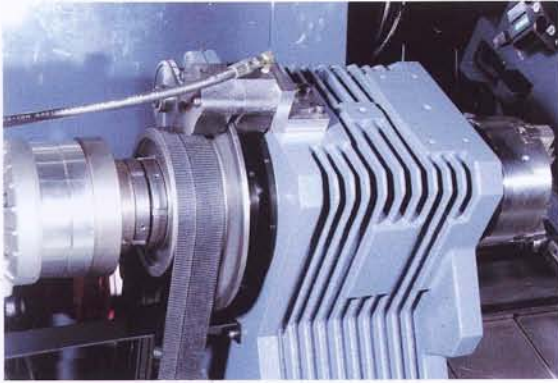
Turret: With DN-P model VDI turret, the tip of O.D tool and the center of I.D tool are aligned on the same spindle center line. The tool set up procedure is thus simplified.



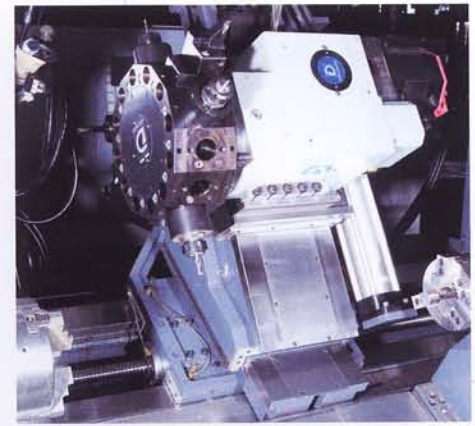
With the pulley headstock design, the external casting ribbing acts as a heat sink, dissipating any resulting heat effectively.



Sub-spindle: This machine may be equipped with servo driven sub-spindle or programmable tailstock. It provides flexibility to cope with a wider range of applications.



C-axis: There are 2 stages of pressure reduction in clamping the C axis to obtain high precision and stability in turning and milling operations.

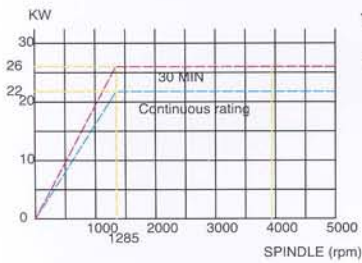


A 30 degree Y slide moves bi-directionally on the 30 degree X-sliding seat to provide a combination of single or two axis travel in X and Y. In particular, a balancing cylinder is added to ensure equal torques in "+" or "-" directional movement..

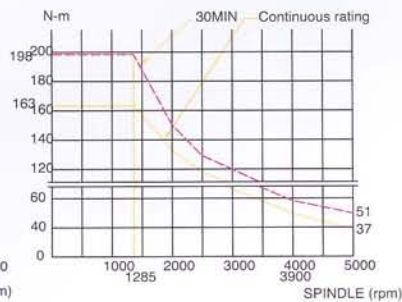
VT-20/21/2100YMS

VT-22/23/2300YMS

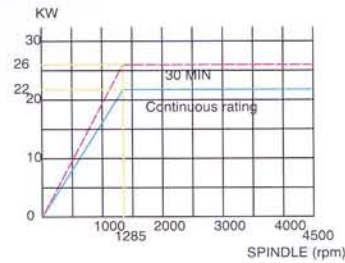
Horsepower Chart



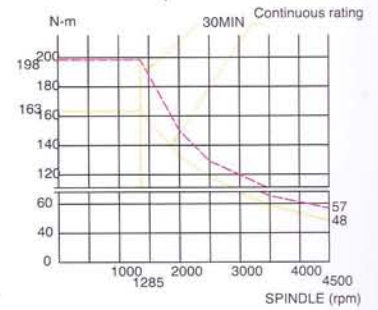
Torque Chart



Horsepower Chart



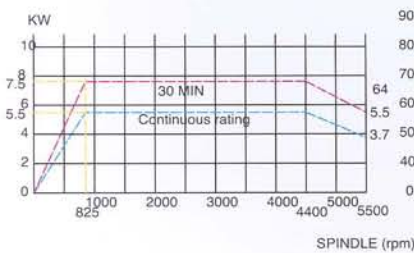
Torque Chart



VT-21SM/2100YMS SUB SPINDLE

VT-23SM/2300YMS SUB SPINDLE

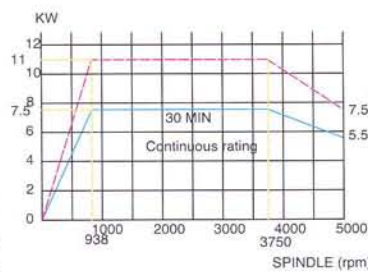
Horsepower Chart



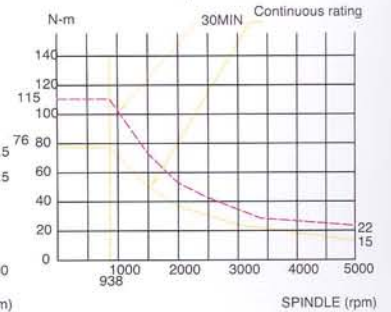
Torque Chart



Horsepower Chart



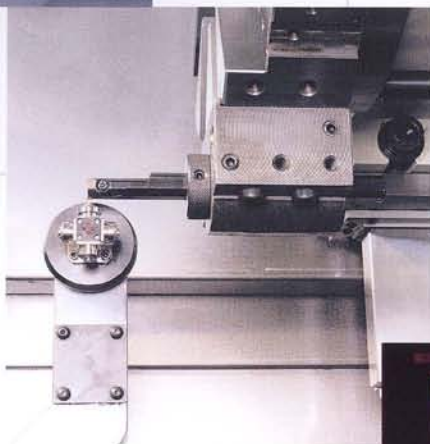
Torque Chart



• Part Catcher

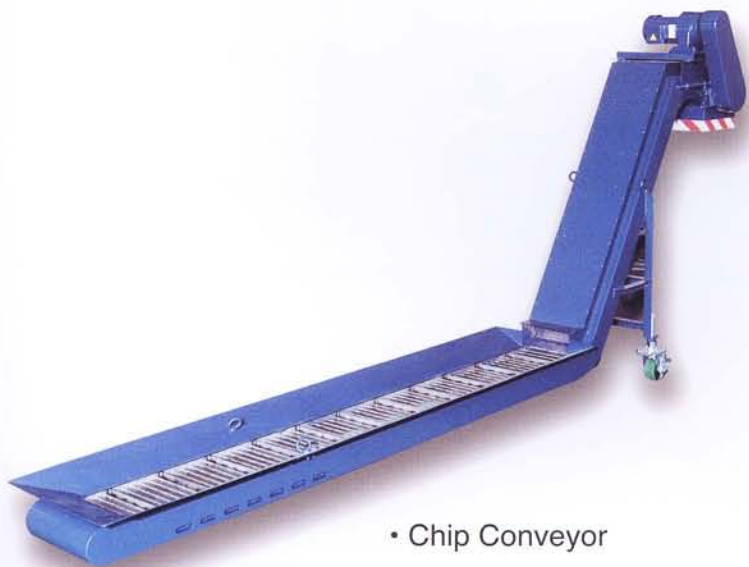


• Live Tooling



• Tool setter

• Manual Guide i



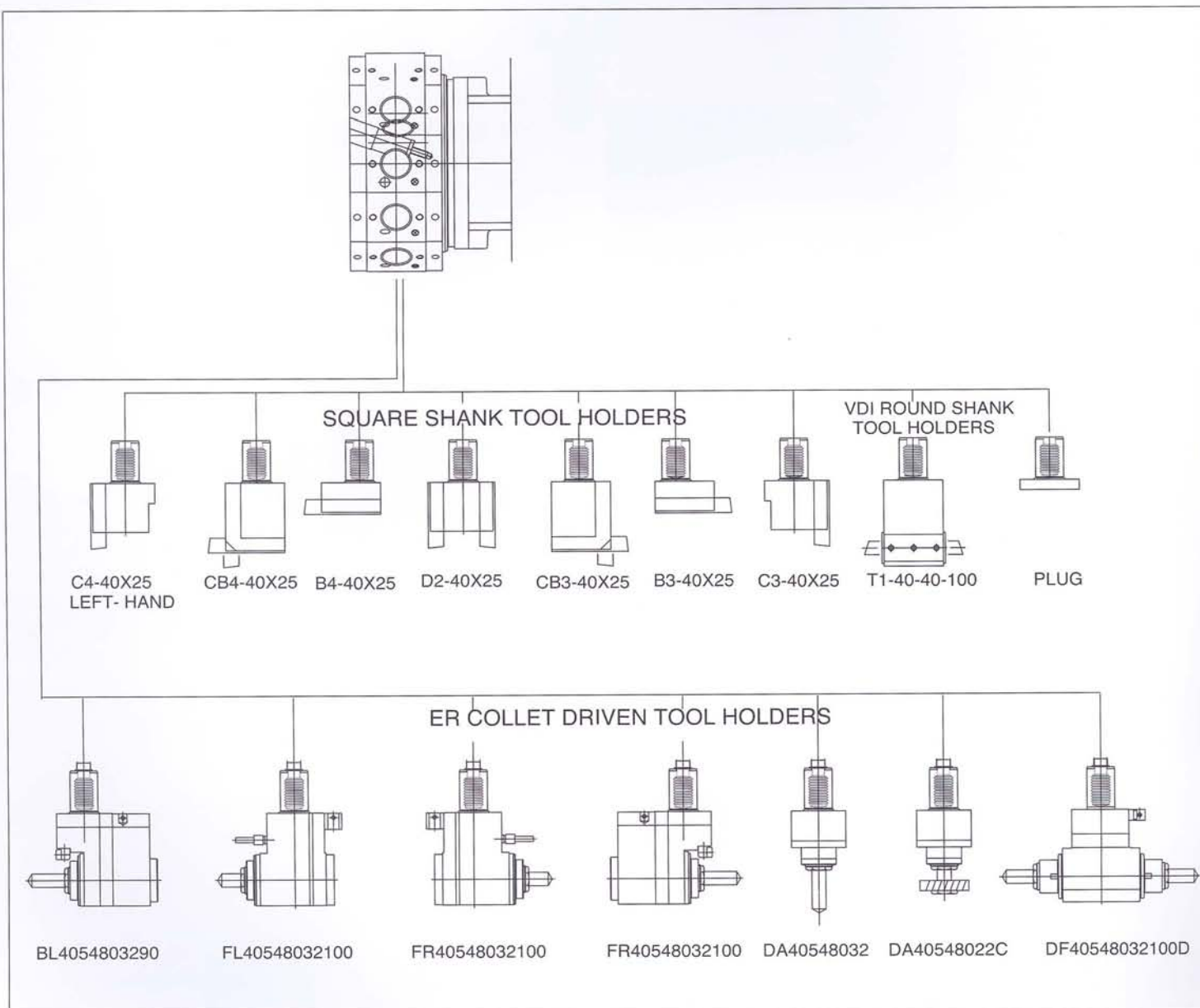
• Chip Conveyor



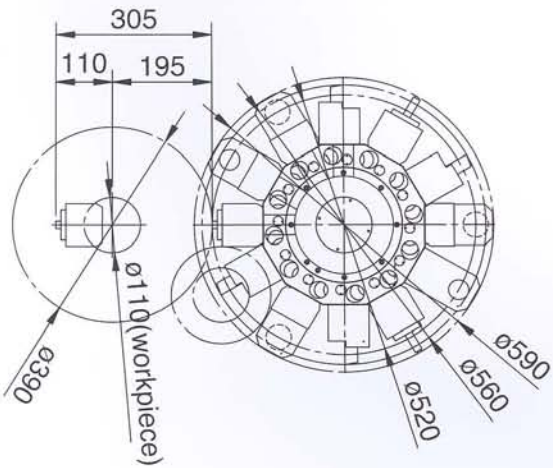
• Bar Feeder



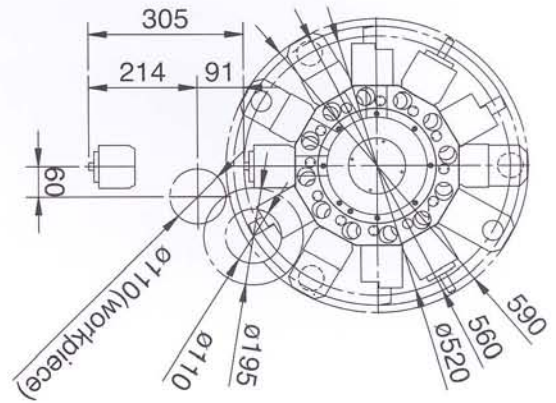
VDI 40  
COUPLING 5480  
RADIAL TURRET



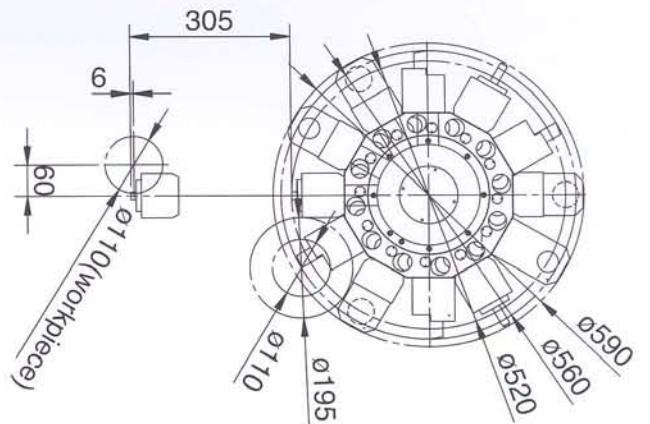
# YMS series Tool Interference Diagram



Middle travel position



Upper travel position



Lower travel position

