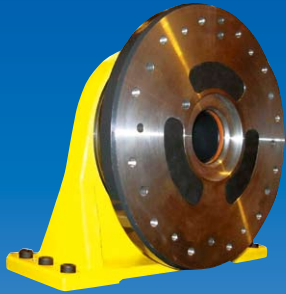


FANUC Servo Positioner



1-axis servo positioner



2-axes servo positioner

Features

This is the Servo Positioner for a coordinated arc welding robot system. The positioner can move with high speed, high accuracy, and high payload by using the same drive unit as a robot.

- A coordinated motion function integrated into FANUC ARC Mate series provides a higher welding quality by keeping optimized constant relative speed and posture.
- The positioner realized a compact body with improved allowable moment, inertia, and load capacity.
- For 2-axes servo positioner, welding earth cable and plenty piping/wiring are integrated into a hollow drive mechanism. For 1-axis servo positioner, a hollow type and a small type are available.
- For 1-axis servo positioner, a follower unit is available, and a long work can be welded.
- ROBOGUIDE is used to input CAD data and create programs offline. A welding program tracing weld path with multi-arm coordinated motion can be generated on ROBOGUIDE.
- The positioner can be installed on the floor, upside-down or inclined at any angle.

Application system



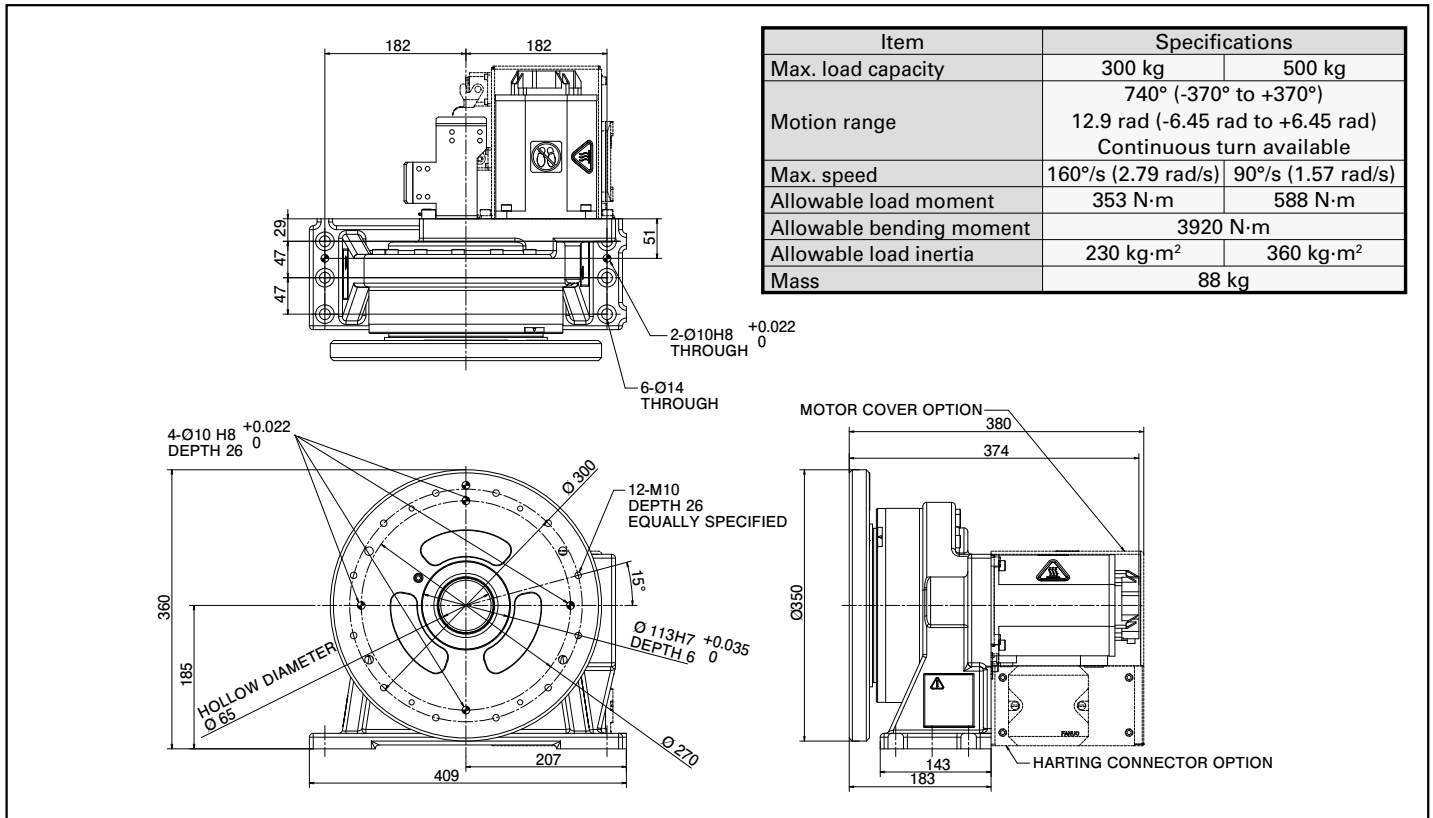
Aluminum part arc welding with 1-axis servo positioner



Automobile part arc welding with 2-axes servo positioner

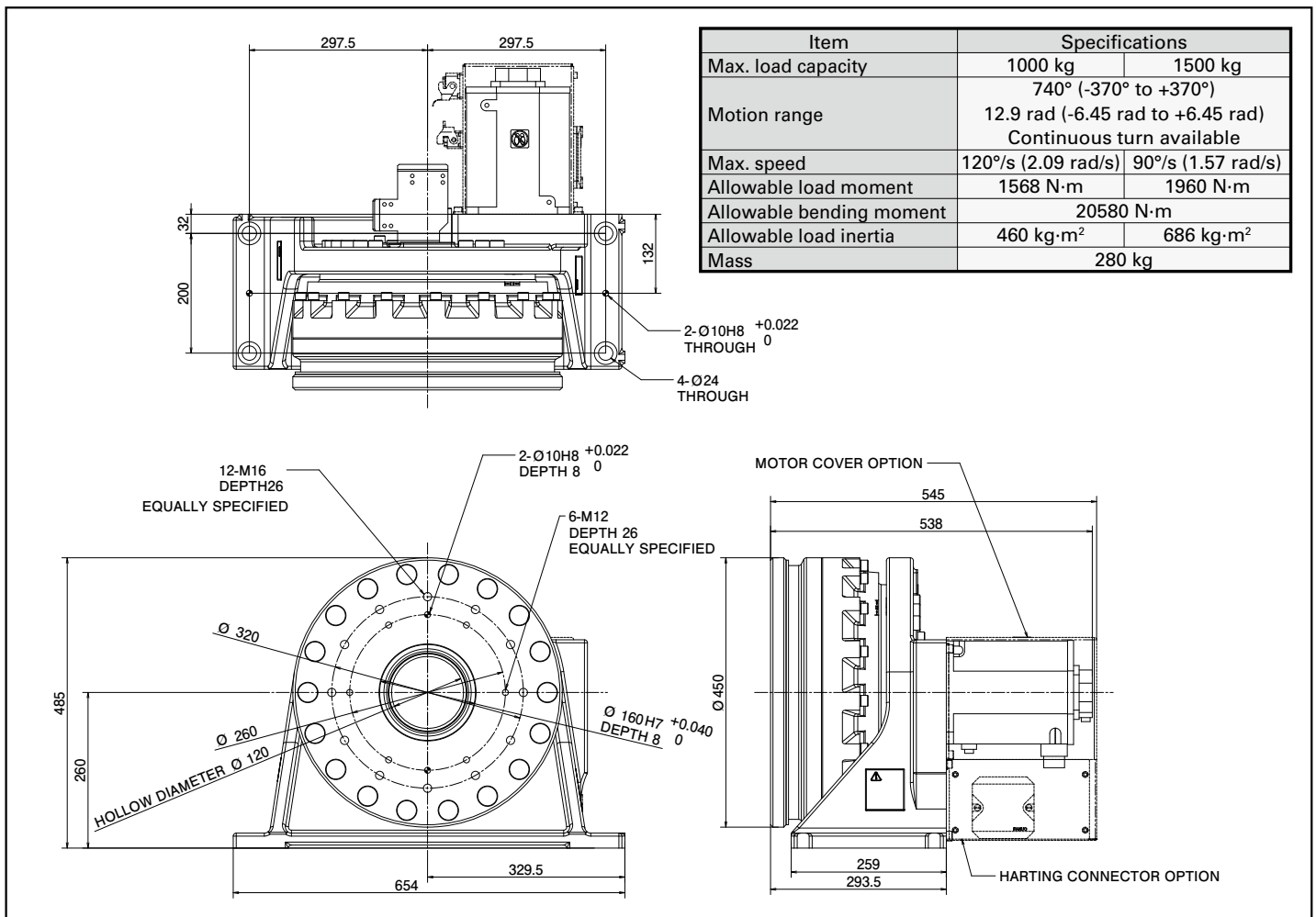
1-axis servo positioner for 300kg/500kg payload(hollow type)

Specifications and Outer Dimensions



1-axis servo positioner for 1000kg/1500kg payload(hollow type)

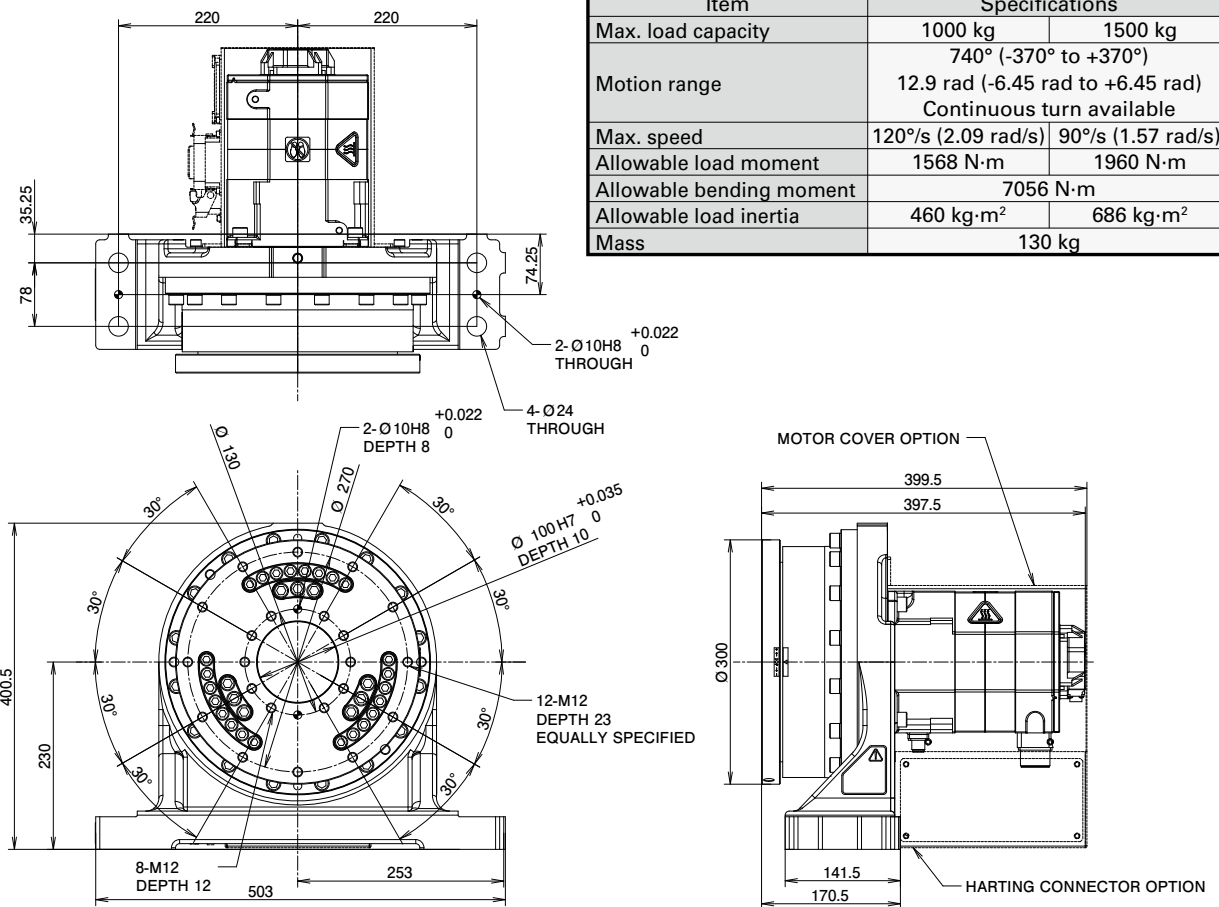
Specifications and Outer Dimensions



1-axis servo positioner for 1000kg/1500kg payload (small type)

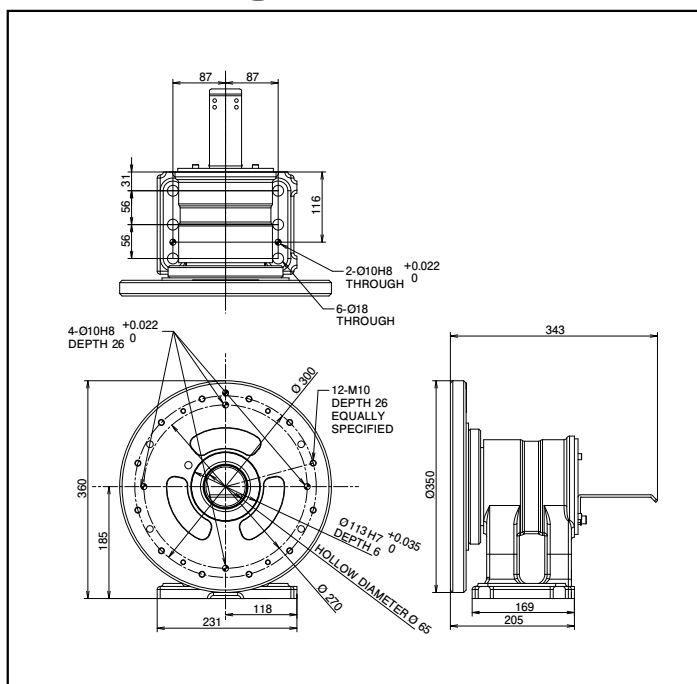
Specifications and Outer Dimensions

Item	Specifications	
Max. load capacity	1000 kg	1500 kg
Motion range	740° (-370° to +370°) 12.9 rad (-6.45 rad to +6.45 rad) Continuous turn available	
Max. speed	120°/s (2.09 rad/s)	90°/s (1.57 rad/s)
Allowable load moment	1568 N·m	1960 N·m
Allowable bending moment	7056 N·m	
Allowable load inertia	460 kg·m ²	686 kg·m ²
Mass	130 kg	

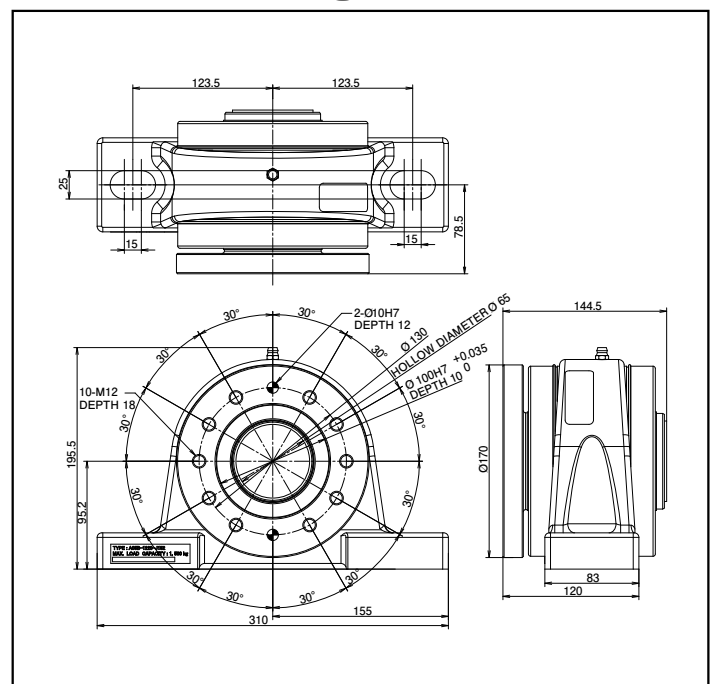


Follower unit for 300kg/500kg/1000kg/1500kg

Outer Dimensions Insulated flange

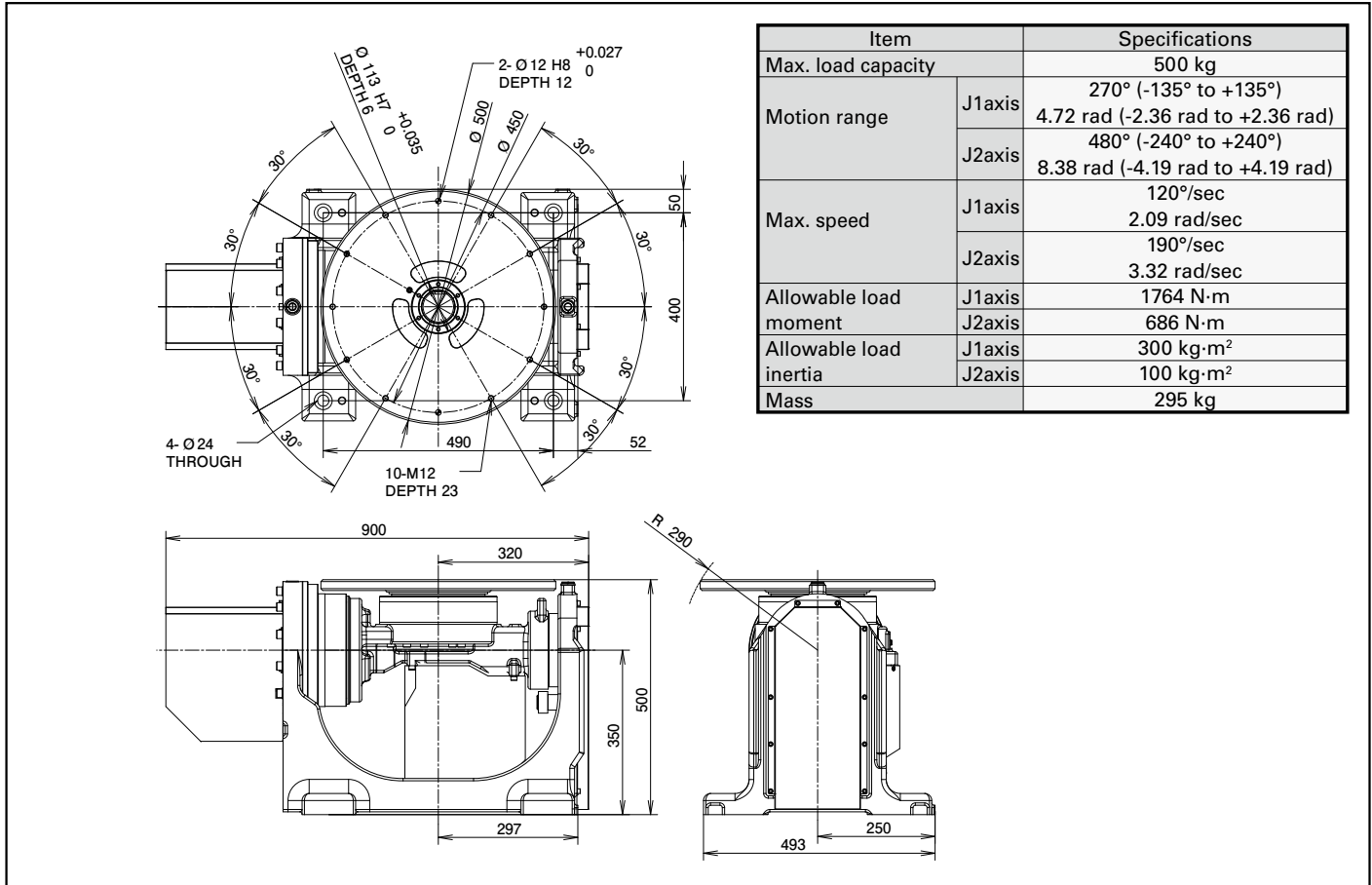


Non-insulated flange



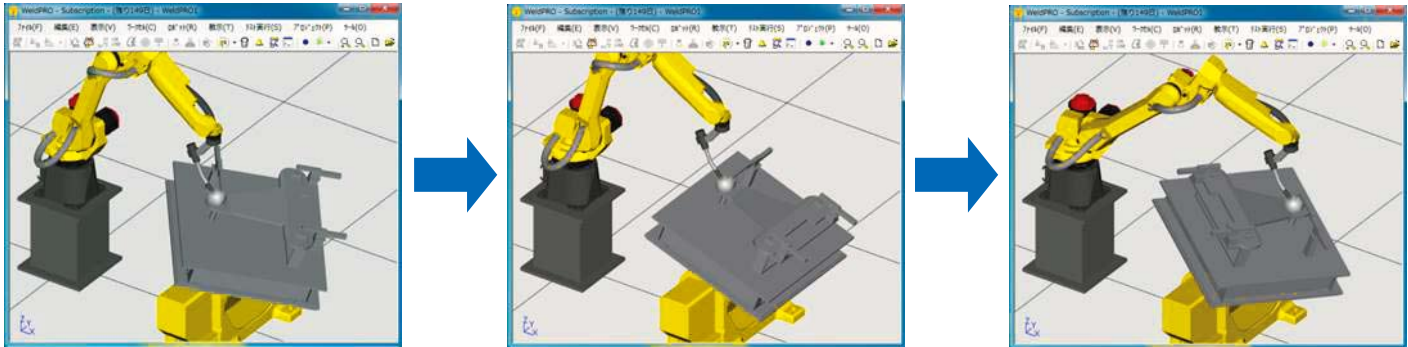
2-axes Servo Positioner

Specifications and Outer Dimensions



ROBOGUIDE Offline Teaching

Multi-arm coordinated motion is generated by ROBOGUIDE.



FANUC CORPORATION

Headquarters Oshino-mura, Yamanashi 401-0597, Japan
Phone: 81-555-84-5555 Fax: 81-555-84-5512 <http://www.fanuc.co.jp>

- Overseas Affiliated Companies
- FANUC America Corporation
- FANUC Europe Corporation, S.A.
- SHANGHAI-FANUC Robotics CO., LTD.
- KOREA FANUC CORPORATION
- TAIWAN FANUC CORPORATION
- FANUC INDIA PRIVATE LIMITED
- FANUC SINGAPORE PTE. LTD.
- FANUC THAI LIMITED
- FANUC MECHATRONICS (MALAYSIA) SDN. BHD.
- PT. FANUC INDONESIA
- FANUC OCEANIA PTY. LIMITED
- FANUC SOUTH AFRICA (PROPRIETARY) LIMITED

- 3900 West Hamlin Road, Rochester Hills, MI 48309-3253, U.S.A.
- Zone Industrielle, L-6468 Echternach, Grand-Duché de Luxembourg
- No. 1500 Fulian Road, Baoshan Area, Shanghai, China
- 101, Wanam-ro(st), Seongsan-gu, Changwon-si, Gyeongsangnam-do, 642-290 Republic of Korea
- No.10, 16th Road, Taichung Industrial Park, Taichung, Taiwan
- 41-A, Electronics City, Bangalore, 560 100, India
- No.1 Teban Gardens Crescent, Singapore 608919, Singapore
- 1301 Pattanakarn Road, Kwaeng Suanluang, Khet Suanluang, Bangkok 10250 Thailand
- No.32, Jalan Pengacara U1/48, Temasya Industrial Park, Section U1, Glenmarie, 40150 Shah Alam, Selangor Darul Ehsan, Malaysia
- JL. Boulevard Bukit Gading Raya Blok R, Jakarta 14240 Indonesia
- 10 Healey Circuit, Huntingwood, NSW 2148, Australia
- 17 Loper Ave. Aeroport Industrial Ests, Spartan Ext.2 P.O.Box 219, Isando 1600, Republic of South Africa

- Phone: 1-248-377-7000 Fax: 1-855-774-7051
- Phone: 352-727777-1 Fax: 352-727777-403
- Phone: 86-21-5032-7700 Fax: 86-21-5032-7711
- Phone: 82-55-278-1200 Fax: 82-55-284-9826
- Phone: 886-4-2359-0522 Fax: 886-4-2359-0771
- Phone: 91-80-2852-0057 Fax: 91-80-2852-0051
- Phone: 65-6567-8566 Fax: 65-6566-5937
- Phone: 66-2-714-6111 Fax: 66-2-714-6120
- Phone: 60-3-7628-0110 Fax: 60-3-7628-0220
- Phone: 62-21-4584-7285 Fax: 62-21-4584-7288
- Phone: 61-2-8822-4600 Fax: 61-2-8822-4666
- Phone: 27-11-392-3610 Fax: 27-11-392-3615

● All specifications are subject to change without notice.
 ● No part of this catalog may be reproduced in any form.
 ● The products in this catalog are controlled based on Japan's "Foreign Exchange and Foreign Trade Law". The export from Japan may be subject to an export license by the government of Japan. Further, re-export to another country may be subject to the license of the government of the country from where the product is re-exported. Furthermore, the product may also be controlled by re-export regulations of the United States government. Should you wish to export or re-export these products, please contact FANUC for advice.